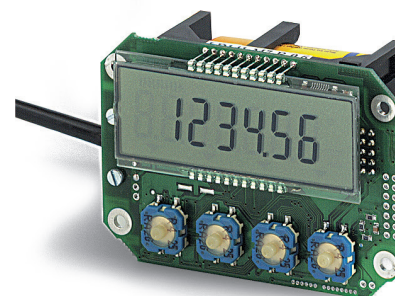


- Quasi-absolute LCD display, 14 mm height
- Max. display accuracy 0,01 mm or 1/64 inch
- Actual value memory
- Linear & Angular display mode
- Panel mount housing
- Fixed or pluggable sensor
- Reading distance sensor/tape up to 1 mm
- RS232 interface (optional)



LD140 • LD142



LD141 OEM version available on request

## PARAMETERS

3 offset values, Preset value, Linear and angular display mode, mm & fractional inch display, Relative/absolute measurement

## ENVIRONMENTAL SPECIFICATIONS

Operating temperature range:	0°C to +50°C (+32°F to +122°F)
Storage temperature range:	-20°C to +80°C (-4°F to +176°F)
Protection:	IP60 front, IP40 back

## MECHANICAL SPECIFICATIONS

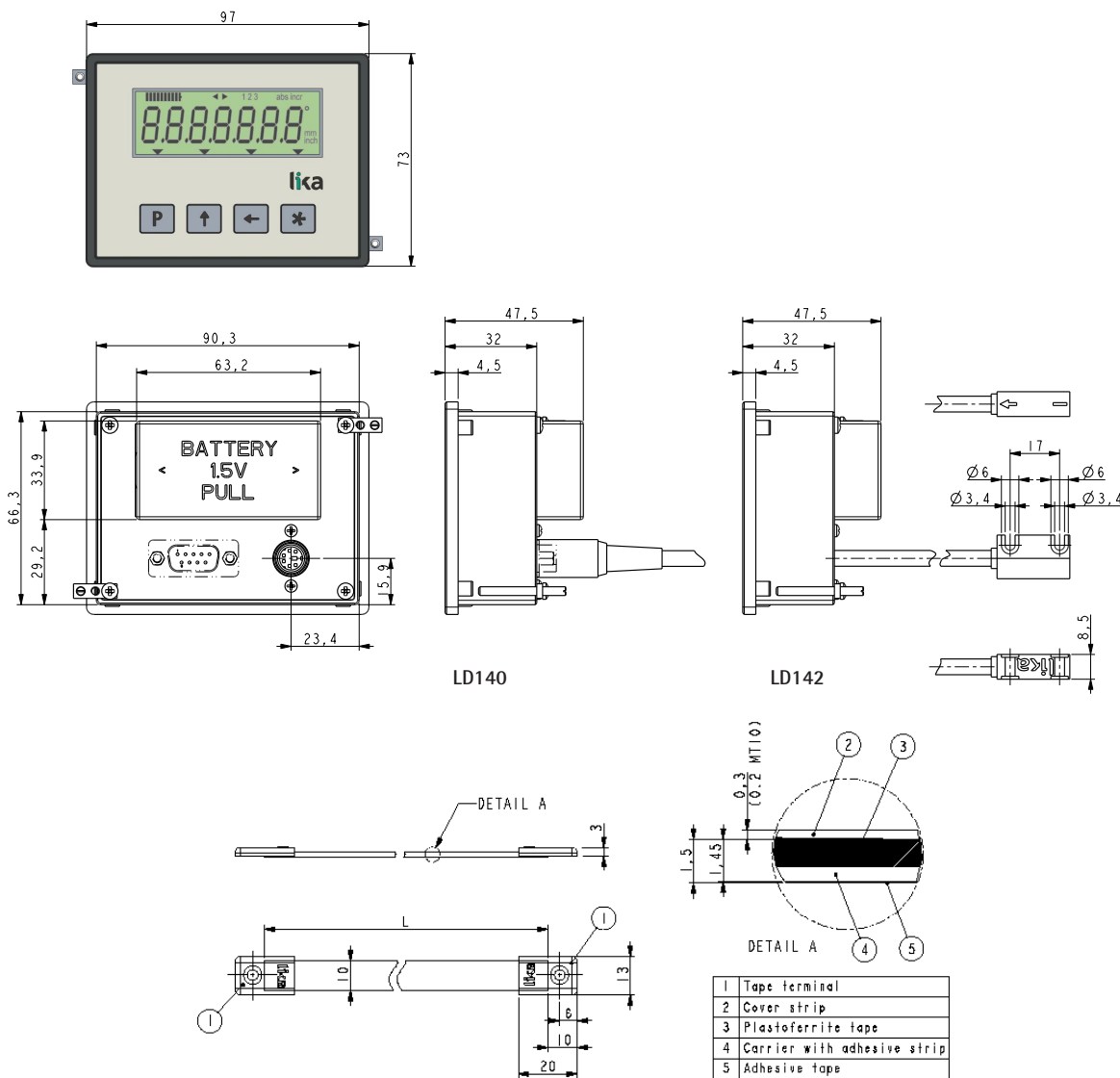
Display resolution:	max. 0,01 mm or 1/64 inch
System accuracy:	± 0,05 mm typ.
Repeat accuracy:	± 1 digit
Display range:	-999999 to 999999
Measurement speed:	max. 5 m/s
Magnetic sensor:	SM25
Reading distance sensor/tape:	0,1 - 1,0 mm
Dimensions:	see drawing
Cut-out:	91,5 x 67,5 mm <sup>2</sup>
Connections:	Battery holder (C type) Cable (sensor) DSub 9 pin (RS232)

## ELECTRICAL SPECIFICATIONS

Power supply:	Integrated 1,5V battery
Consumption:	~ 700 µA
Interface:	RS232 (optional)

## ACCESSORIES

SM25:	Magnetic sensor
MTI-0250:	Magnetic tape
PF4012:	Fixing support



MTI

Order code - Display

LD140	-	XX	-	XX
		(a)		(b)

Order code - Sensor

SM25	-	R	XXXX
		(a)	(b)

Order code - Display

LD142	-	XX	X	XXXX	-	XX
		(a)	(b)	(c)		(d)

(a) INPUT	(b) INTERFACE
M7 = magnetic sensor	I1 = RS232

(a) SENSOR	(b) CABLE LENGTH
R = rectangular	L002 = cable output 0,2 m
	L010 = cable output 1 m
	Lxx0 = cable output x m.
	(max. length 5 m)

(a) INPUT	(c) CABLE LENGTH	(d) INTERFACE
M7 = magnetic sensor	L002 = cable output 0,2 m	I1 = RS232
	Lxx0 = cable output x m.	
	(max. length 5 m)	
(b) SENSOR		
R = rectangular		

Order code - Tape

MTI	-	XXXX	-	XX	-	XXXXXX	-	X	-	X	-	X	-	XXX	/Sxxx
		(a)		(b)		(c)		(d)		(e)		(f)		(g)	(h)

(a) CODING	(b) WIDTH	(c) LENGTH	(d) BIADHESIVE	(f) COVER STRIP	(g) ACCURACY CLASS
0250	10 = 10 mm	001000 = 1 m	B = supplied	C = supplied	100 = ±85 µm/m
		002000 = 2 m	N = not supplied	N = not supplied	050 = ±35 µm/m (up to 30 m)
		004000 = 4 m			
		010000 = 10 m	(e) PRINTING		
		020000 = 20 m	P = standard		
		030000 = 30 m	S = custom		
					(h) CUSTOM VERSION

Document release	Date	Description
1.0	July 2024	New order code